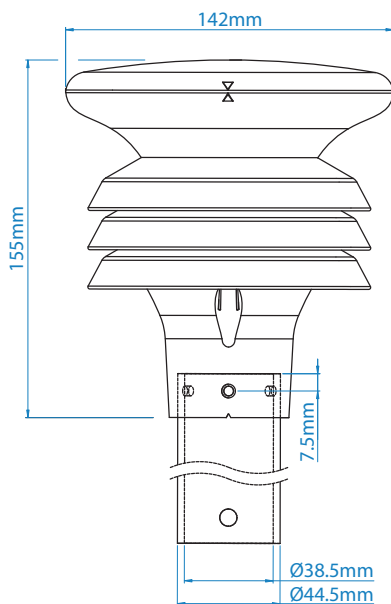


## GMX300 Compact Weather Station

The MaxiMet range of compact weather stations is designed and manufactured by Gill Instruments. MaxiMet products use reliable, high quality instruments to provide accurate meteorological information in a wide variety of applications.

### GMX300 Features

**Temperature, humidity, pressure.** A combined instrument mounted inside three double louvered, naturally aspirated radiation shields with no moving parts. The results are high performance across each measurement over long periods of time.



| TEMP, HUMIDITY & PRESSURE  | PARAMETERS   |
|--|--|
| <ul style="list-style-type: none"> <li>Air Pressure / Temperature</li> <li>Relative / Absolute humidity</li> <li>Naturally aspirated UV stable radiation shield</li> <li>Protection against wind-blown precipitation/dust</li> </ul> | <ul style="list-style-type: none"> <li>Temperature °C / °F / °K</li> <li>Relative humidity % Rh</li> <li>Barometric pressure hPa, mbar, mm Hg, In Hg</li> <li>Absolute humidity g/m<sup>3</sup></li> <li>Outputs<br/>RS232, 422, 485 (ASCII), SDI-12, NMEA, MODBUS, Analogue (option)</li> </ul> |

#### All MaxiMet Models Feature

- Quality Measurements
- Lightweight and Robust
- Low Power Mode
- Free of Charge Software
- Gill Proven Reliability
- Compact Integrated Design
- Real Time Output
- Easy Installation
- Gill Customer Support
- 2 Year Warranty

## Applications

- Building and Industrial Controls
- Authorities
- Transport
- Coastal
- Agricultural
- Safety
- Educational
- Commercial
- Energy

| TEMPERATURE   |                |
|---------------|----------------|
| Range         | -40°C to +70°C |
| Resolution    | 0.1            |
| Accuracy      | ± 0.3°C @ 20°C |
| Sampling Rate | 1 Hz           |
| Units         | °C, °F, °K     |

| PRESSURE      |                       |
|---------------|-----------------------|
| Range         | 300 to 1100 hpa       |
| Resolution    | 0.1 hPa               |
| Accuracy      | ± 0.5 hPa @ 25°C      |
| Sampling Rate | 1 Hz                  |
| Units         | hPa, mbar, mmHg, inHg |

| POWER                  |  |
|------------------------|--|
| Power Supply           | 5 to 30 Vdc  |
| Power (Nominal) 12 Vdc | 5 mA continuous high mode. 0.7 mA eco-power mode (1 hour polled) |

| HUMIDITY      |                          |
|---------------|--------------------------|
| Range         | 0-100%                   |
| Resolution    | 1%                       |
| Accuracy      | ± 2% @ 20°C (10%-90% RH) |
| Sampling Rate | 1 Hz                     |
| Units         | % Rh, g/m <sup>3</sup>   |

| OUTPUTS             |   |
|---------------------|---|
| Output rate         | 1/s, 1/min, 1/hr  |
| Digital Comms Modes | Serial RS232, RS422, RS485, SDI-12, NMEA, MODBUS, ASCII |
| Analogue Outputs    | Available via separate optional device                  |

| ENVIRONMENTAL CONDITIONS       |  |
|--------------------------------|--|
| IP Rating                      | 66   |
| Operational Temperature Range: | -40°C to +70°C                               |
| EMC Standard:                  | BS EN 61326 : 2013<br>FCC CFR47 parts 15.109 |
| CE Marking                     | YES  |
| RoHS compliant                 | YES  |
| Weight                         | 0.5 Kg                                       |
| Origin                         | UK   |

| DEW POINT     |                |
|---------------|----------------|
| Range         | -40°C to +70°C |
| Resolution    | 0.1            |
| Accuracy      | ± 0.3°C @ 20°C |
| Units         | °C, °F, °K     |
| Sampling Rate | 1 Hz           |

Specifications may be subject to change without prior notice

# GILL

## Gill Instruments Limited

Saltmarsh Park, 67 Gosport Street  
Lymington, Hampshire SO41 9EG  
United Kingdom

Tel: +44 (0) 1590 613 500  
Fax: +44 (0) 1590 613 501  
contact@gillinstruments.com



[gillinstruments.com](http://gillinstruments.com)

1957-005 Iss 4

Copyright © Gill Instruments 2017

Gill Instruments Limited, Reg No. 2281574  
Registered Office: The George Business Centre, Christchurch Road, New Milton, BH25 6QJ