

## 1.1.2.4 Low - Medium Power Thermal Sensors - Apertures to 17mm

### 50mW to 150W

#### Features

- Special purpose SV and HE absorbers
- For concentrated beams and pulses
- Convection air cooled
- CW to 30W or 50W, intermittent to 150W
- Ø17mm aperture

30(150)A-SV-17 /  
30(150)A-HE-17



30(150)A-HE-DIF-17  
Diffuser installed



Diffuser off



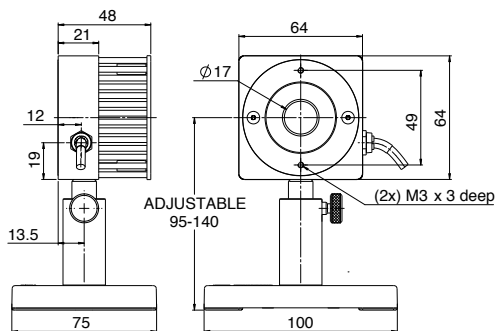
Model	30(150)A-SV-17			30(150)A-HE-17			30(150)A-HE-DIF-17			
Use	High power and energy density			High energy and average power pulsed lasers			Concentrated beam pulsed lasers - has removable diffuser			
Absorber Type	SV			HE			HE			
Spectral Range $\mu\text{m}$	0.19 - 11			0.19 - 0.625, 1.064, 2.1, 2.94			0.19 - 3 except for 0.625 - 0.9 <sup>(b)</sup>			
Aperture mm	Ø17mm			Ø17mm			Ø17mm			
Power Mode										
Power Range	100mW - 150W			50mW - 150W			50mW - 150W			
Maximum Intermittent Power W				150W for 1.5min, 100W for 2.2min, 30W continuous						
Power Scales	150W / 30W / 3W			150W / 30W / 3W			150W / 30W / 3W			
Power Noise Level	5mW			3mW			3mW			
Maximum Average Power Density $\text{kW}/\text{cm}^2$	60 at 150W			0.5			0.5			
Response Time with Meter (0-95%) typ. s	1.7			3.8			3.8			
Power Accuracy +/-%	3			3			5 <sup>(b)</sup>			
Linearity with Power +/-%	1			1.5			1.5			
Energy Mode										
Energy Range	50mJ - 300J			60mJ - 200J			60mJ - 200J			
Energy Scales	300J / 30J / 3J			200J / 30J / 3J			200J / 30J / 3J			
Minimum Energy mJ	50			60			60			
Maximum Energy Density $\text{J}/\text{cm}^2$	Pulse width <sup>(a)</sup>	Single	10-50Hz	Pulse width <sup>(a)</sup>	Single	10-50Hz	Pulse width <100ns, 10 - 50Hz	Wavelength	DIF IN	DIF OUT
	<100ns	1	1	<100ns	5	2	1064nm	5	2	
	0.5ms	20	20	0.5ms	100	25	532nm	4	2	
	2ms	50	50	2ms	150	40	355nm	1.5	1	
Cooling	convection / ballistic			convection / ballistic			convection / ballistic			
Fiber Adapters Available (see page 83)	ST, FC, SMA, SC			ST, FC, SMA, SC			NA			
Weight kg	0.3			0.3			0.4			
Compliance	CE, China RoHS			CE, China RoHS			CE, China RoHS			
Version										
<b>Part number</b>	<b>7Z02724</b>			<b>7Z02722</b>			<b>7Z02729</b>			

Notes:

(a) At 1064nm. For shorter wavelengths derate maximum energy density to:  
355nm 50% of above values  
266nm 50% of above values  
193nm 10% of above values

(b) With diffuser in, sensor is only calibrated for 1064, 532 and 355nm wavelengths.

30(150)A-SV-17 / 30(150)A-HE-17



30(150)A-HE-DIF-17

